

# HOWSE

## EXTRA HEAVY DUTY GRADER BLADES

6' 7' 8'

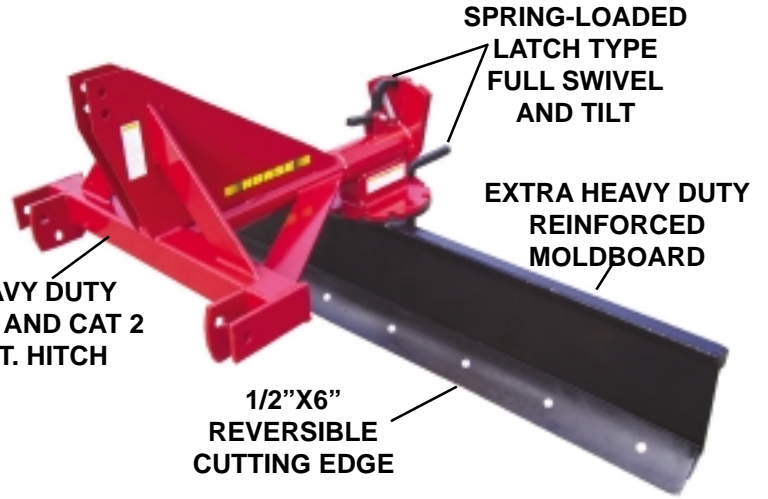
EXTRA HEAVY DUTY TUBING MAIN FRAME

HEAVY DUTY CAT 1 AND CAT 2 3 PT. HITCH

SPRING-LOADED LATCH TYPE FULL SWIVEL AND TILT

EXTRA HEAVY DUTY REINFORCED MOLDBOARD

1/2"X6" REVERSIBLE CUTTING EDGE



| MODEL # | APPROX WT. |
|---------|------------|
| SXEHGB6 | 524        |
| SXEHGB7 | 553        |
| SXEHGB8 | 582        |

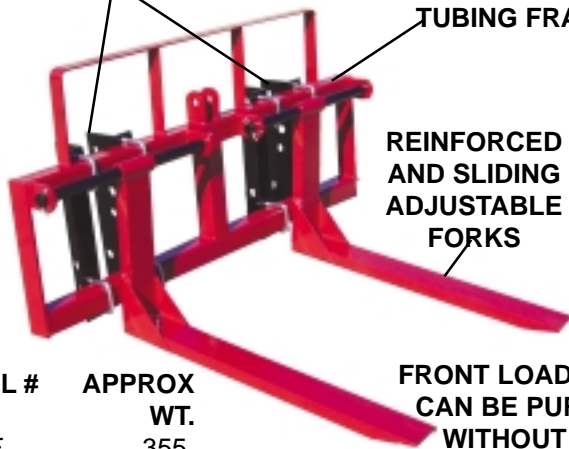
SUGGESTED HORSE POWER 85 MAXIMUM

## FRONT LOADER PALLET FORKS

HEAVY DUTY ADJUSTABLE BRACKETS TO FIT ANY FRONT LOADER

HEAVY DUTY TUBING FRAME

REINFORCED AND SLIDING ADJUSTABLE FORKS



| MODEL # | APPROX WT. |
|---------|------------|
| SFLPF   | 355        |

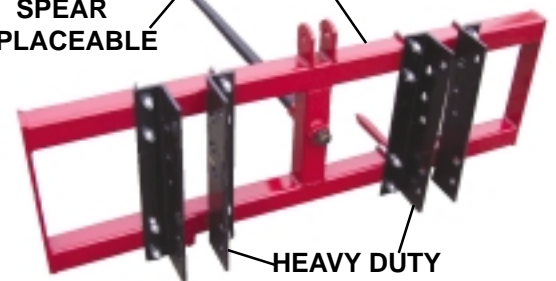
FRONT LOADER FRAME CAN BE PURCHASED WITHOUT FORKS

## FRONT LOADER SPEAR

BOLT ON SPEAR REPLACEABLE

HEAVY DUTY TUBING FRAME

HEAVY DUTY ADJUSTABLE BRACKETS TO FIT ANY FRONT LOADER



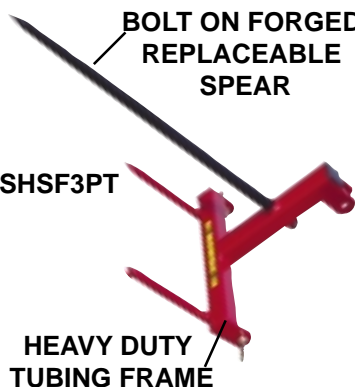
| MODEL # | APPROX WT. | DESCRIPTION  |
|---------|------------|--------------|
| SFLSF   | 175        | Forged Spear |
| SFLS2   | 255        | 2" RD Spear  |

## CAT 1 THREE POINT HITCH BALE SPEAR

BOLT ON FORGED REPLACEABLE SPEAR

SHSF3PT

HEAVY DUTY TUBING FRAME



## CAT 1 THREE POINT HITCH TRAILER MOVERS

ECONOMY TRAILER HITCH

STHA3PT

WILL EXCEPT 2" RECEIVER

TRAILER BALLS NOT INCLUDED



INSTALL BALL FOR GOOSE NECK TRAILERS

HEAVY TRAILER HITCH

STHA3PTHD

INSTALL BALL FOR BUMPER TRAILERS

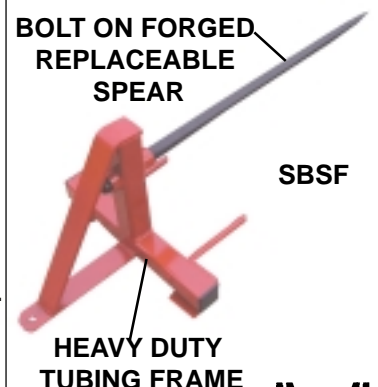


## BOLT ON BUCKET SPEAR

BOLT ON FORGED REPLACEABLE SPEAR

SBSF

HEAVY DUTY TUBING FRAME



AVAILABLE EQUIPMENT COLORS

